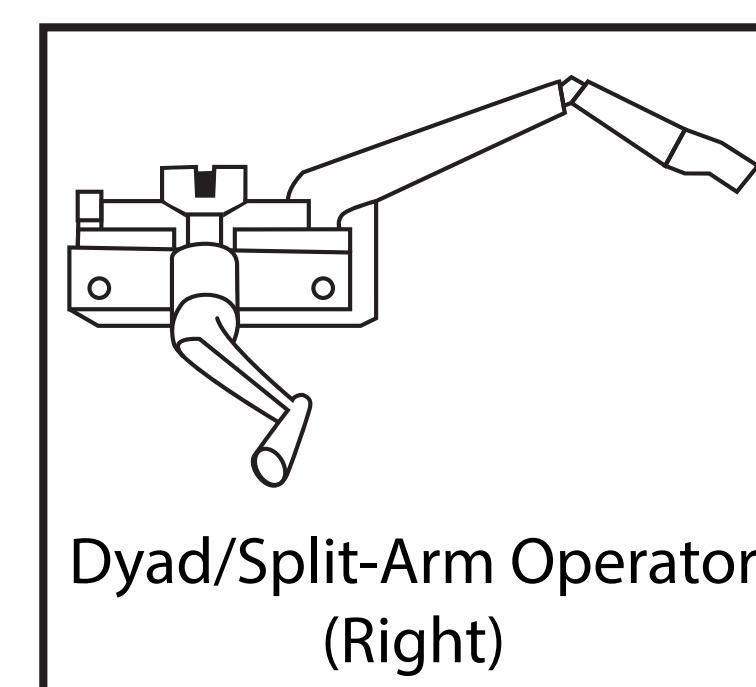
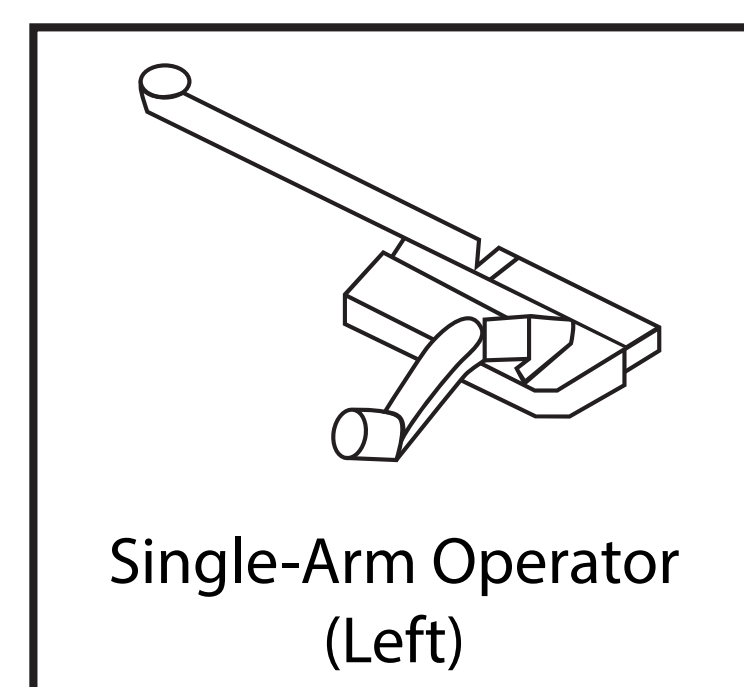
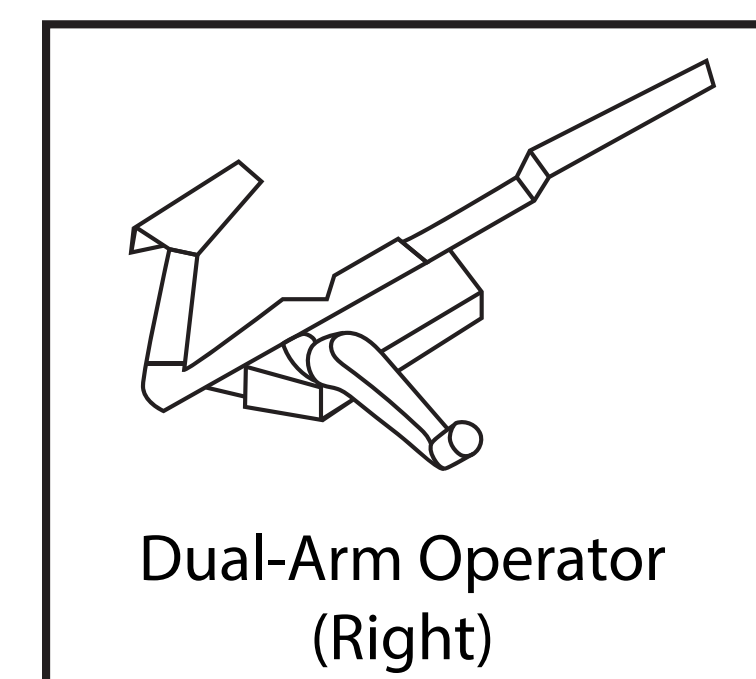
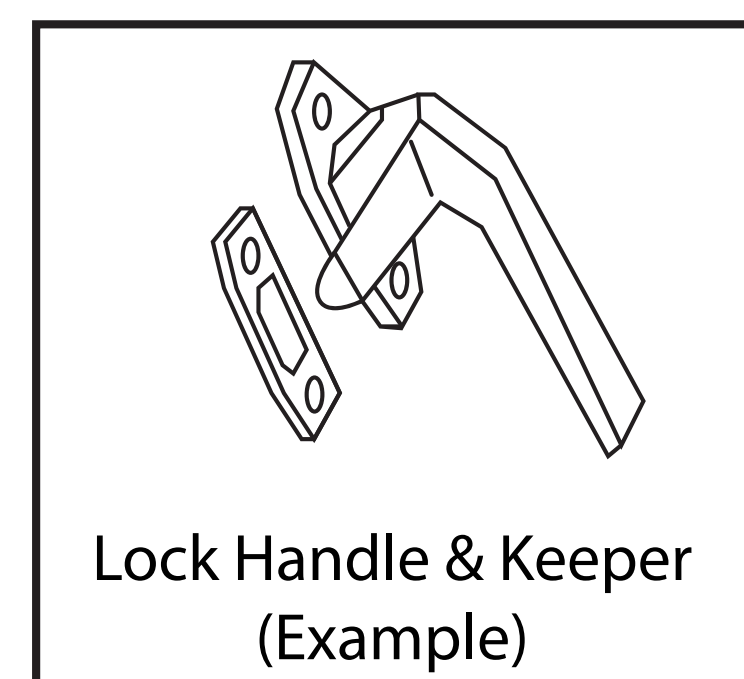
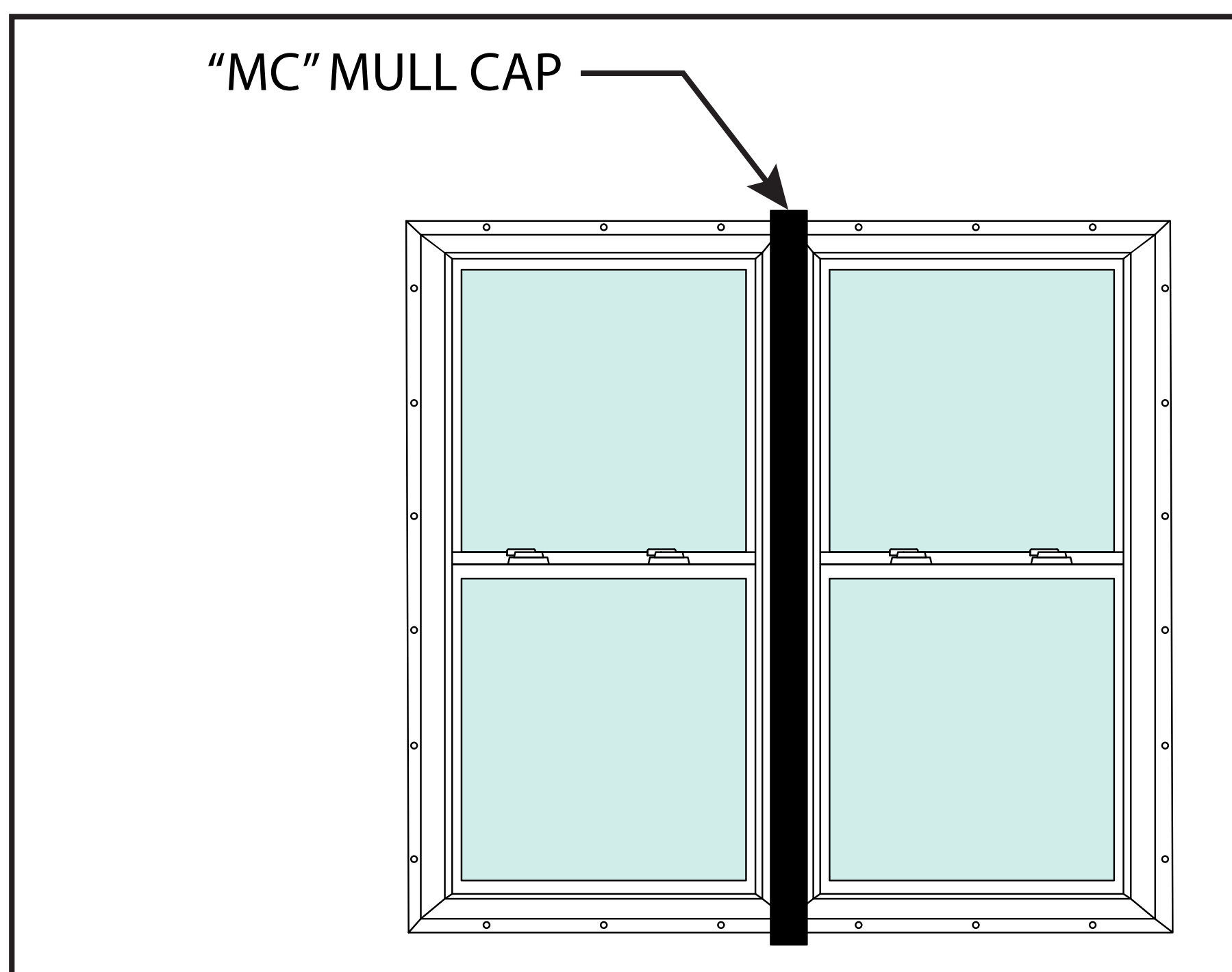
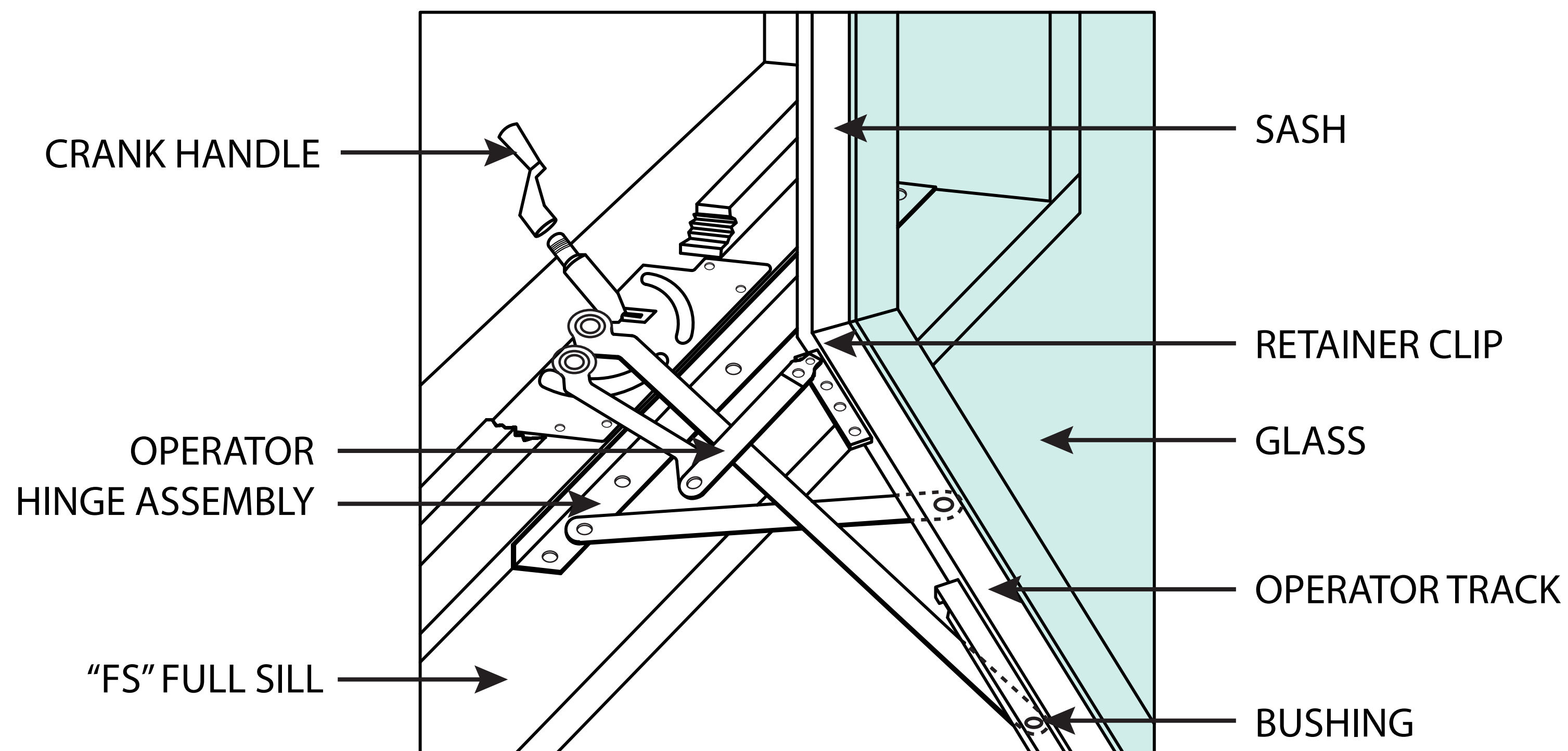
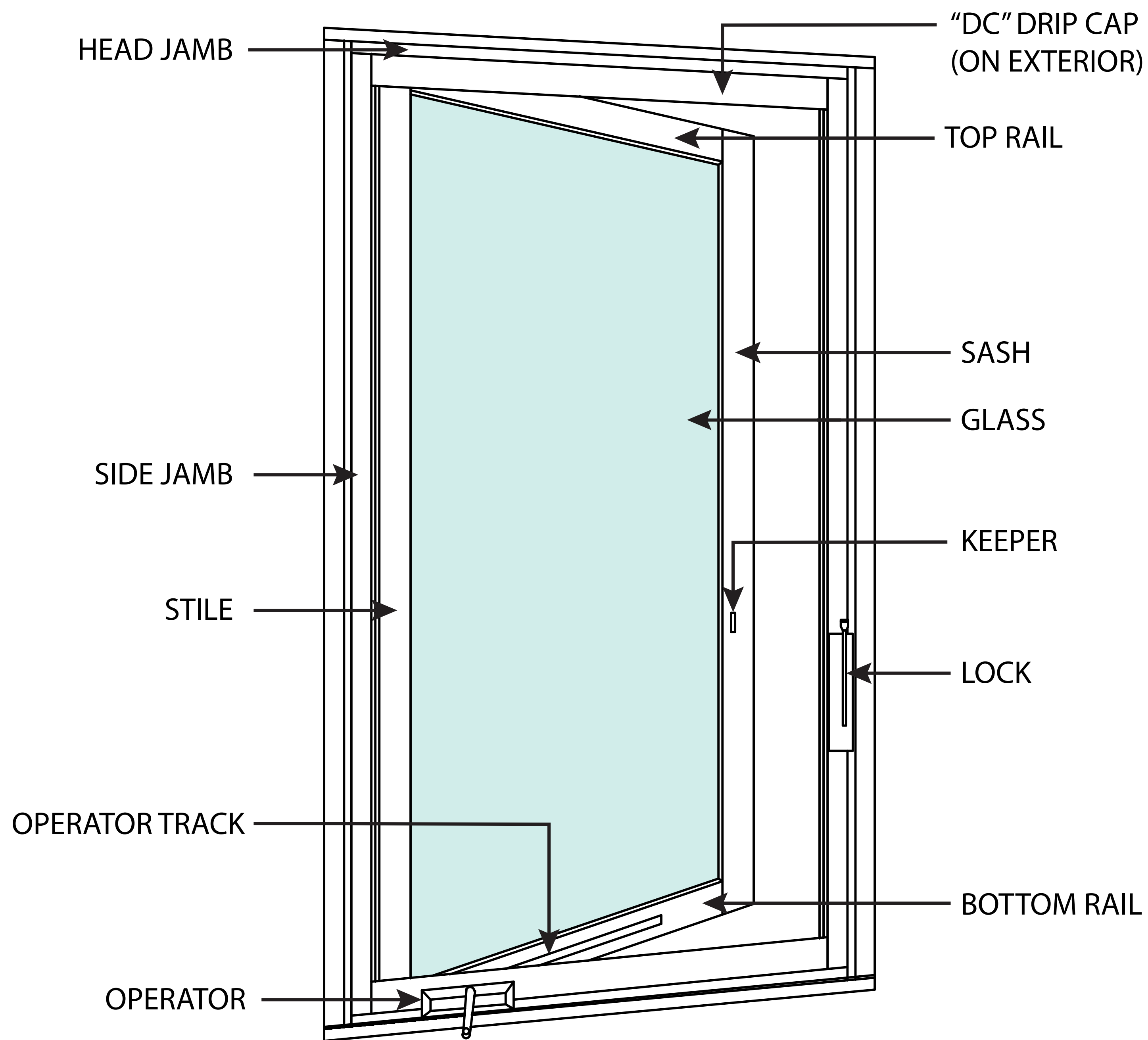
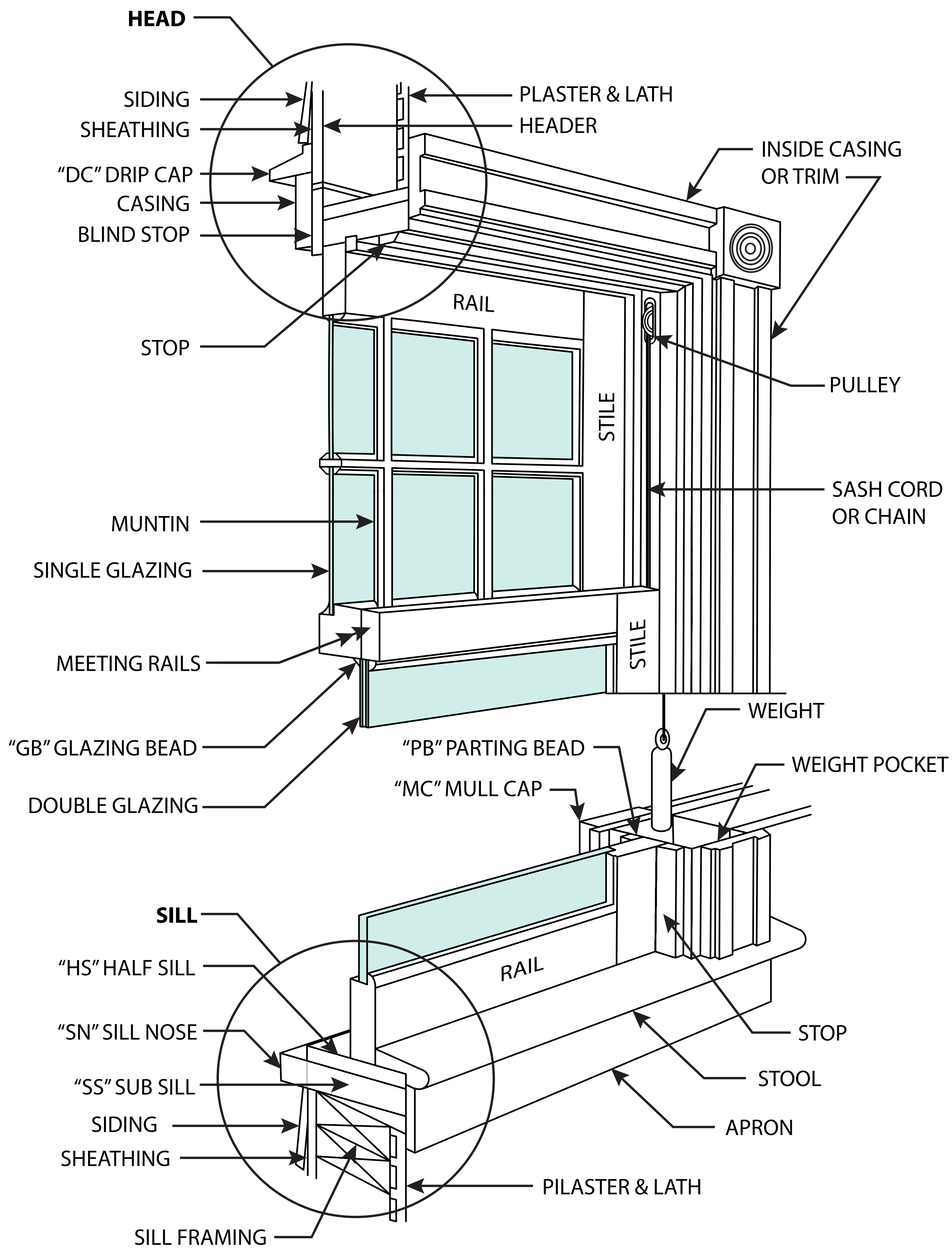


Modern Casement



Anatomy of a Double-Hung Window



LEGEND:		
BM - Brick Mold	JF - Jamb Filler	DC - Drip Cap
FS - Full Sill	JS - Jamb Sill	PB - Parting Bead
GB - Glazing bead	MB - Mutton Bar	SS - Sub Sill
HS - Half Sill	MC - Mull Cap	SN - Sill Nose